

HL540(I) PRIMUS DRAIN. simple clever



Foto: HL540I

HL540(I) PRIMUS DRAIN shower trap



HL540(I) PRIMUS DRAIN. simple clever

*Easy cleaning, individual design
and a masterpiece of the highest level*

Since now 60 years the Austrian family company HL Hutterer & Lechner produces siphons, drains and traps. Latest result of this long-time experience: The shower trap HL540 „Primus Drain“. This is more or less an improved floor drain, especially designed for tiled and barrier-free showers. Main objective was set on simple installation for the plumber and an easy way of cleaning for the user of the shower. For exclusive bathrooms a special design version has been created: HL540i.

Keyword Installation:



The advantages of this new shower trap can be seen already, when installing it: Stable attachment on the screed by sound-disconnected stainless steel angles. The drain body is able to be adjusted in height by these angles, to produce an incline of the waste pipe.



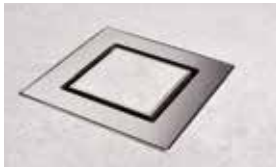
Next step is very easy: Because now already the screed may be filled in, no matter which height. It's no longer necessary to set the drain exactly on the upper level of the screed. Later changes of the height of the floor construction do not matter to the plumber: – the salient tube is cut with a saw blade or with a cutting disc, after the screed is dry.



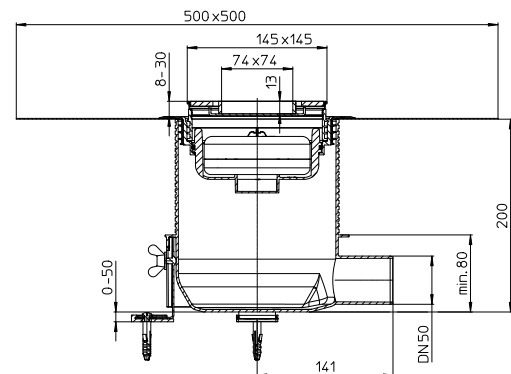
After that the sealing membrane is inserted into the drain body and may be connected to the hydro-insulation.



The frame is inserted, suitable for tiles from 8mm to 30mm, including tile glue. After finishing the floor the trap is inserted. The "Primus" trap itself is a so called „dry siphon“: it prevents the upraising of sewage gas, also when the water in the siphon has evaporated. Of course the trap is removable, on the one hand for an easy cleaning, on the other hand it gives you a generous access to the waste pipe, if a congestion should occur. Just to make sure!



For elegant and upper class bathrooms and to reach a uniform design: HL540i –same technique, but grate made of brushed, massive stainless steel with integrated hollow for inserting the suitable tile.



Technical Information

Capacity: 0.8 l/s (HL540i: 0,6 l/s)

Installation height: min. 80 mm, max. 250 mm to upper level of screed

Frame: Stainless steel V4A, 145 x 145 mm

Grate: Stainless steel V2A, 138 x 138 mm

Height of water trap: 50 mm (HL540i: 40 mm)

HL Austria					
HL Headoffice Austria	Brauhausgasse 3-5 A-2325 Himberg T: +43 / (0) 2235 / 862 91-0 F: +43 / (0) 2235 / 862 91-31 office@hutterer-lechner.com	HL Estonia, Latvia, Lithuania	Saulius Šalna HL Baltic Technical Center Draugystės 19 LT-51230 Kaunas T: +370 645 11 101 F: +370 373 31 662 saulius@hlbaltic.info www.hlbaltic.info	HL Russia	Техническое представители в России: Якушин Сергей, Yakushin Sergey T: +7 (495) 211-6864 M: +7 (985) 211-6864 hl@interma.ru hlrus@mail.ru www.hlrus.com
Gebiet Ost: Wien/Niederösterreich/ Burgenland Nord	Josef Kellner: 0664/96 89 054 kellner@hutterer-lechner.com Zeljko Šapina: 0664/84 91 240 sapina@hutterer-lechner.com	HL France	F.L.B. Rue Robert Fulton, Zona Quadra parc F - 62800 Lievin T: +33321458000 F: +33321451015 www.flb-plast.fr		Старостенко Андрей Starostenko Andrey T: +7 (495) 765-0227 M: +7 (985) 765-0227 starostenko@interma.ru www.hlrus.com
Gebiet Süd: Steiermark/Kärnten/ Burgenland Süd	Martin Hörzer: 0664/84 91 242 hoerzer@hutterer-lechner.com	HL Greece	Tselcon Christos Al. Tselis - Christos V. Tselis Central Office: Old National Road Patras-Korinthos & Roumelioti Ag. Vasileios, Tseleika GR-26504 Rion T: +30 2610 911411 T: +30 2610 620524 F: +30 2610 911412 info@tselcon.gr www.tselcon.gr	HL Serbia, Macedonia, Montenegro	Branko Vojnović, dipl.ing. Tehnički savetnik/Technical Advisor M: +381 60 311 4252 T/F: +381 21 843 886 hl.serbien@gmail.com
Gebiet Mitte: Salzburg/Oberösterreich Gebiet West: Tirol/Vorarlberg/Südtirol	Karl Weninger: 0664/22 44 769 weninger@hutterer-lechner.com Alexander Wachter: 0664/84 91 241 wachter@hutterer-lechner.com			HL Slovakia, Belarus, Azerbaijan, Kazakhstan	Informačná kancelária Dipl. Ing. Pavol Mayer Pri Vápenickom potoku 20 84106 Bratislava T/F: +421 265 956 202 M: +421 905 45 1901 mayer.pavol@ba.telecom.sk
HL International					
HL Albania	Roland Aliaj Tirana, Albania T: +35542272528 M: +355692071457 hl.al.roland@gmail.com				
HL Bosnia and Herzegovina	Remzo Čutuna M: +387 61158245 ozmer@bih.net.ba	HL Hungary	Gémes Atilla M: +36-30-5000-434 HL@PR.hu www.hutterer-lechner.com	HL Slovenia	Informativni biro Miran Gmajner, dipl. ing. Stantletova 11 SI-3320 Velenje M: +386(0)31285969 miran.gmajner@t-2.net miro.gmajner@gmail.com
HL Bulgaria	Informative office Dipl. Ing. Krasimir Georgiev str. Boris Arsov 12/B BG-1700 Sofia M: +359(0)888 644 574 hlbg.com@gmail.com	HL Italy	HL Ufficio Informazioni Italia Matteo Fazio Via G. Cimabue, 9 I-20148 Milano T/F: +39 02 3271213 M: +39 348 4206070 hifazio@gmail.com	HL Switzerland	Europlast 2000 GmbH Reutlingerstraße 18 CH-8472 Seuzach T: +41 523 351 630 F: +41 523 353 342
HL Croatia	Krešimir Bogadi ing.grad M: +385 99 31 46 587 hl@bikma.hr Vjekoslav Zlački M: +385 98 35 26 66 mto@mto.hr	HL Moldavia	DAKON s.a. str. Padurii 6 MD 2002 Chisinau T: +37322380563 F: +37322380500	HL Turkey	Gelişim Teknik San.ve Tic.Paz. AŞ. Akdeniz Bulvarı Altınkale Mahallesi No:191 07192 Döşemealtı /Antalya Tel: +90242 340 25 75 Fax: +90242 340 25 77 www.gelisimteknik.com.tr
HL Cyprus	Nianpa (Patatos) Ltd Foti Pitta 32, Palaiometochi Industrial Area, 2682 P.O. Box 25528 1310 Nicosia T: +35 722 35 38 08 F: +35 722 35 31 73 sales@nianpa.com	HL Poland	Biuro techniczne Polska Polnocna Cezary Rycak Warszawa T/F: +48 22/6631417 M: +48 602 300 092 rycak@onet.pl Biuro techniczne Polska Południowa Marcin Biziorek Siemianowice Śl. T/F: + 48 32 209 43 46 M: +48 602 469 602 mbiziorek@op.pl	HL Ukraine	Технический представитель в Украине: Sergii Matveichuk M: +38 044 531 67 17 hl.sergey@ukr.net
HL Czech Republic	Technická kancelář Dipl. Ing. J. Maňas Zámečnické nám. 54/6 CZ-66451 Šlapanice, T/F: +420 54 522 34 20 M: +420 602 519295 manas@odtokyh1.cz T. Zelený T/F: +420 54 522 34 20 M: +420 724 024 657 zeleny@odtokyh1.cz	HL Romania	Marius Albescu T: +40 (0) 742 278 680 F: +40 (0) 212 212 201 hl.albescu@gmail.com	HL Germany, Netherlands, Belgium, Luxembourg, France, Portugal, Spain, Great Britain, Ireland, Norway, Sweden, Finland, Iceland, USA, Middle East	Dallmer GmbH + Co. Sanitärtechnik Wiebelsheidestraße 25 D-59757 Arnsberg T: +49(0)29 32/96 16-0 F: +49(0)29 32/96 16-222 info@dallmer.de www.dallmer.de



HL Hutterer & Lechner GmbH
Brauhausgasse 3-5, A-2325 Himberg, Austria
T: + 43 / (0)2235 / 862 91-0
F: + 43 / (0)2235 / 862 91-31
office@hutterer-lechner.com
www.hutterer-lechner.com